



## CENTRIFUGAL SIDEWALL FANS

# SWF Series

**NEW**



Range of direct drive centrifugal fans, manufactured from high grade pressed galvanized steel protected against corrosion by polyester paint finish. All the fans are provided with a removable top for easy access to motor for cleaning or inspection, a large grille opening, a back-draft damper, a pre-wired terminal box and a backward curved centrifugal impeller. All the motors are single-phase 230V - 50Hz, IP44, Class F, with ball bearings greased for life, and safety thermal overload protection of manual reset type. The SWF series is ideally suited for a wide range of residential, commercial and industrial exhaust ventilation applications.

### A P P L I C A T I O N S



Warehouses



Workshops



Commercial premises



Offices



Cafes, bars and small restaurants



SWF

### ■ Technical characteristics

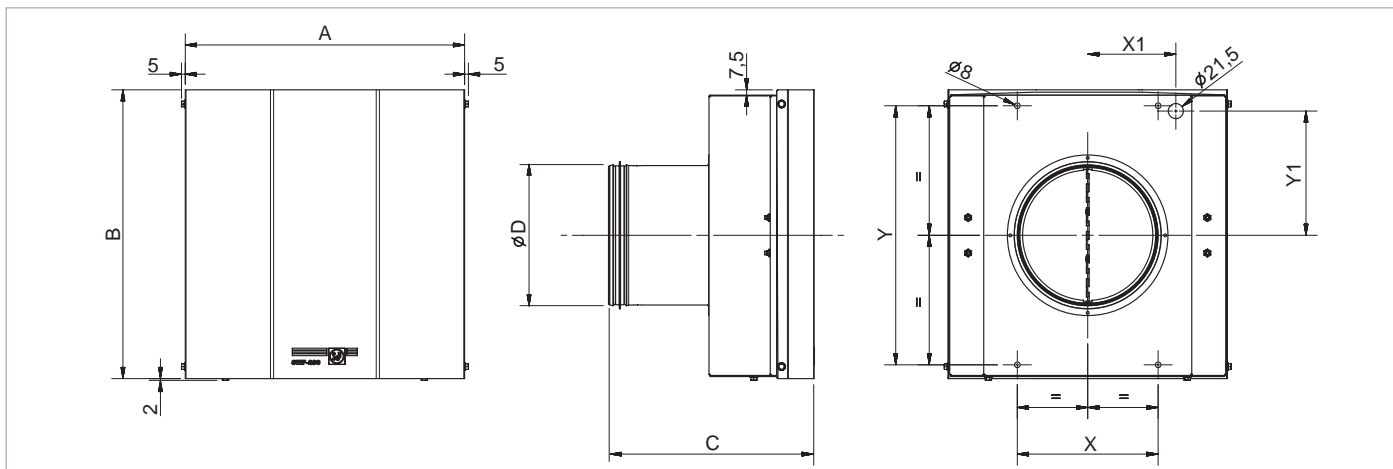
Before installation check that the product electrical characteristics listed on the data plate label (Voltage, power, frequency etc) match those of the intended electrical supply.

Model	Speed (rpm)	Maximum absorbed power (W)	Maximum absorbed current (A)	Maximum airflow (m <sup>3</sup> /h)	Sound pressure level* (dB(A))
SW F-100	1600	112	0, 47	165	51
SW F-100X	2600	75	0, 31	325	55
SW F-150	2620	80	0, 34	485	58
SW F-150X	2750	115	0, 56	625	59
SW F-200	2700	125	0, 58	770	56

\*Average sound pressure level, measured at 3 m, at the fan outlet

In-Line duct fans

## ■ Dimensions (mm)



Type	A	B	C	D	X	Y
SWF-100	337	337	228	100	150	295
SWF-100X	337	337	228	100	150	295
SWF-150	337	337	260	150	150	295
SWF-150X	395	408	254	150	199	366
SWF-200	395	408	291	200	199	366

## ■ Acoustic characteristics

Sound power spectrum in dB(A), at the fan inlet and outlet, at 3 working points of the performance curve

Model	63	125	250	500	1000	2000	4000	8000
100 INLET	33	43	48	54	58	56	48	39
	36	43	53	57	61	58	50	41
	38	45	55	61	64	60	52	43
100 OUTLET	34	45	58	60	60	59	56	46
	36	47	62	63	62	61	58	49
	39	48	64	66	65	63	60	51
150 INLET	36	45	55	66	65	64	56	53
	33	42	55	66	62	63	55	45
	31	42	55	65	62	61	55	42
150 OUTLET	37	47	58	67	67	67	63	56
	39	49	61	71	71	70	67	60
	41	51	62	72	73	72	70	61
200 INLET	37	48	65	73	73	70	65	58
	36	49	63	70	69	66	59	50
	40	58	67	74	69	64	56	46
200 OUTLET	37	48	60	72	71	71	68	60
	38	55	64	71	67	64	60	49
	38	55	64	71	67	64	60	49

Model	63	125	250	500	1000	2000	4000	8000
100 X INLET	41	47	56	65	69	65	57	46
	42	47	55	62	66	62	53	42
	44	49	52	61	65	59	50	40
100 X OUTLET	40	50	63	72	70	68	64	51
	42	50	61	68	67	64	59	48
	44	51	60	68	65	61	56	46
150 X INLET	39	48	61	75	74	70	64	53
	39	50	65	74	72	68	61	48
	44	53	63	74	71	66	57	46
150 X OUTLET	37	48	64	75	74	72	67	58
	38	50	69	73	71	69	64	51
	44	53	66	72	70	67	61	49

## Performance curves

- Air volume in m<sup>3</sup>/h and m<sup>3</sup>/s. Static pressure in Pa. Electrical power absorbed in W
- Sound pressure level in dB(A) at the fan outlet measured at 3 meters

